

## DIN Rail Loop-Powered 4-20mA Signal Isolator

### Features:

- >>Current loop power supply
- >>High linearity (0.2% F.S.)
- >>3000VDC isolation(4-20mA input/output)
- >>Frequency response(signal bandwidth): 50Hz(Io=20mA)
- >>Operating temperature range: -45~85deg.C
- >>Standard DIN35 rail mounting(size:69.5x79.0x25.0mm)
- >>Loop power supply:10-30V



### Application:

- >>PLC,DCS analog signal isolation,collecting
- >>4-20mA signal isolation and transmission
- >>Ground isolation and interference suppression
- >>Signal long-term distortion-free transmission
- >>Instrument signal transceiver and control
- >>Power control, medical equipment isolation barrier

### Product Listing:

Type No.	Input	Power supply	Output
DIN11-IAP100LF	4-20ma	No	4-20ma

### Products Absolute Maximum Ratings:

Continuous isolation voltage: 3000VDC

Maximum input voltage: 32V

Operating temperature: +85 °C

Storage temperature: +85 °C

Output short circuit time: Sustainable

Note: Exceeding the maximum ratings may cause irreparable damage

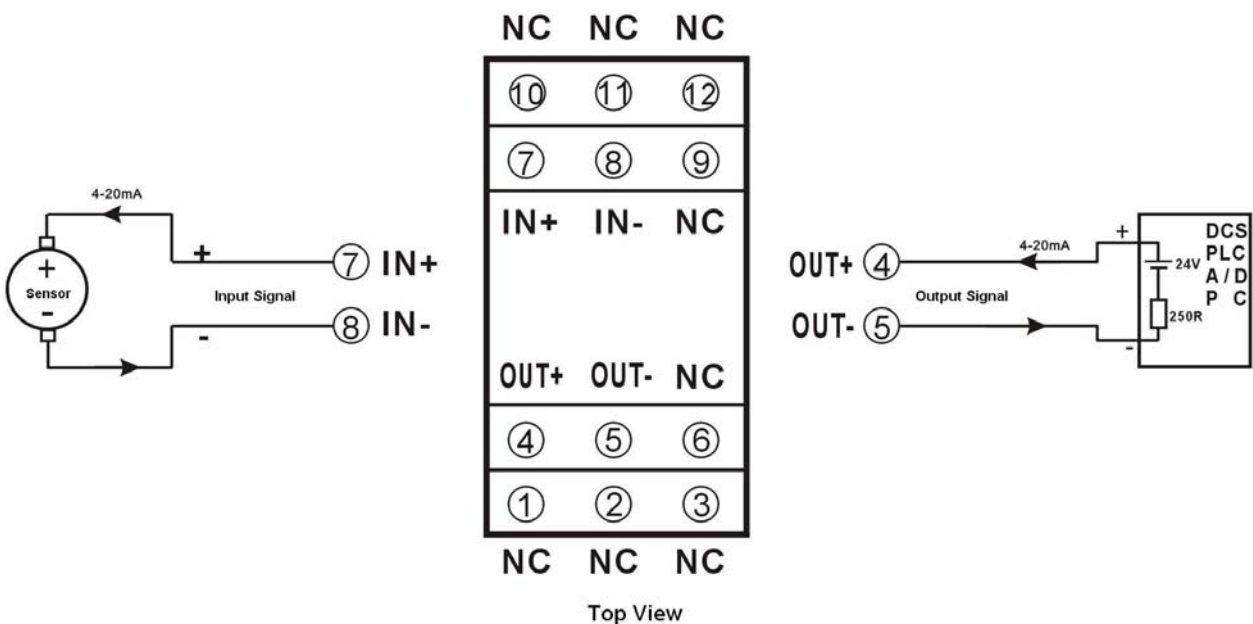
### General Parameter:

Parameter	Condition	MIN.	TYP.	MAX.	Unit
Isolation	1min		3000		VDC
Insulation resistance			$10^{12} \parallel 1$		$\Omega \parallel Pf$
Leakage Current	240Vrms, 50Hz		0.5		uA
Temperature Drift	-45~+85°C		±50	±100	PPm/°C
Nonlinearity			±0.2	±0.2	%FSK
Input Voltage Range		8		32	V
Output Linear Range		0.03	4	20	mA
Output Current ( I <sub>o</sub> )		0.03		40	mA
Input Voltage Drop-out ( V <sub>oh</sub> )	I <sub>o</sub> =20mA			4	V
Output Ripple			5		mV
Frequency response(signal bandwidth)	I <sub>o</sub> =20mA		50		Hz

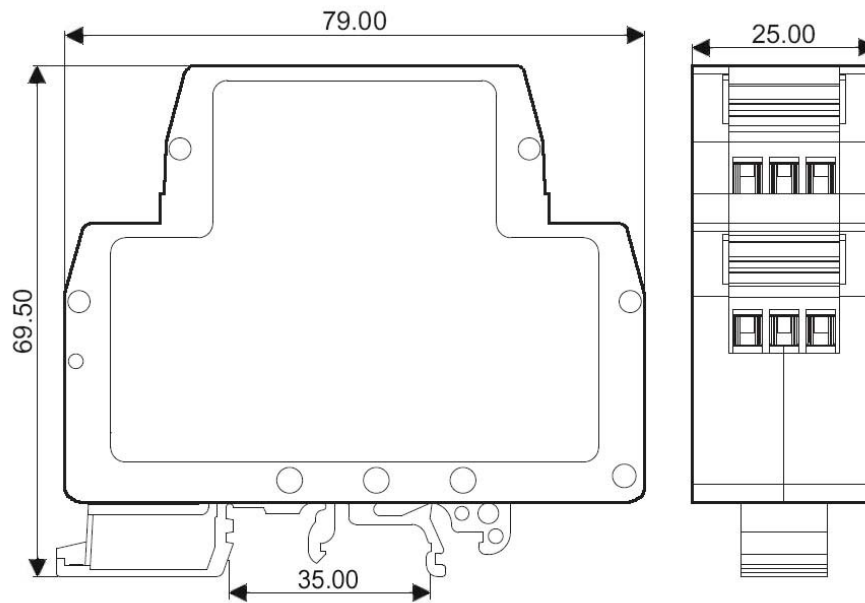
**Note: All specifications measured at TA=25°C, humidity<75%, nominal input voltage and rated output load unless otherwise specified.**

### Footprint Definitions:

PIN	Name	Function	PIN	Name	Function
1	NC	NO PIN	7	IN+	Signal Input +
2	NC	NO PIN	8	IN-	Signal Input -
3	NC	NO PIN	9	NC	NO PIN
4	OUT+	Signal Output +	10	NC	NO PIN
5	OUT-	Signal Output -	11	NC	NO PIN
6	NC	NO PIN	12	NC	NO PIN



**Mechanical Dimensions: (unit: mm)**



**Warranty**

Two years (but violate operating rules and requirements to create damage, clients need pay maintenance costs)

**Copyright**

Copyright © 2012 **Shenzhen WAYJUN Industrial Automation**

Specifications subject to change without notice.

**Brand**

In this manual, mentioned other trademarks and copyright belongs to their respective owners.

\* Specifications subject to change without notice